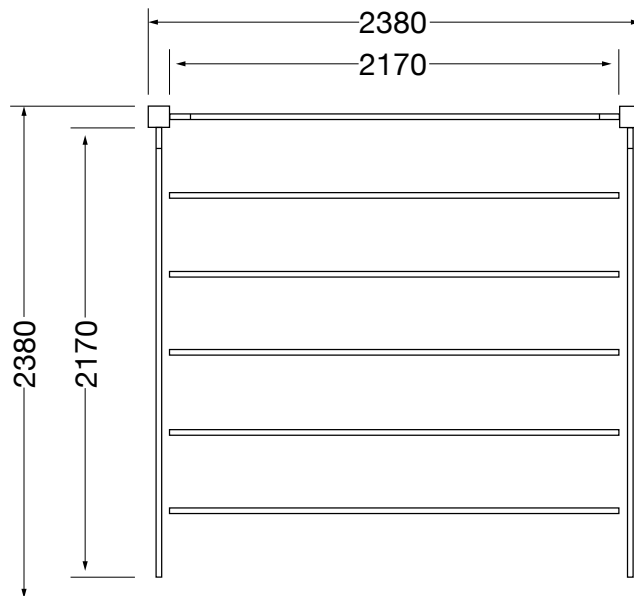


STEEL SUB-FRAME KIT 3

End Bay (Code 2170/EB) & Adjoining Bay (Code 2170/AB)



FREE DELIVERY

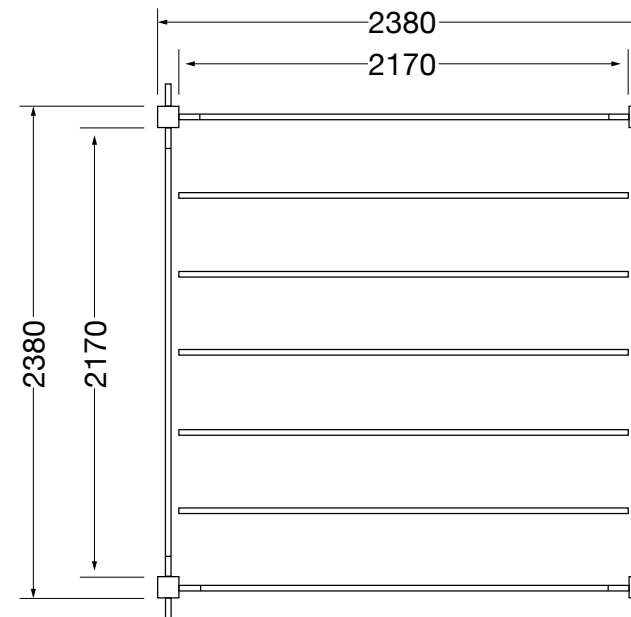


End Bay (Code 2170/EB)

2 x Corner Brackets
8 x 2170mm Beams
10 x Half 'T' Bracket
1 x Bag of fixings
1 x Driver Bit

Weight 40.5 kg

£439.26 (including VAT)
Free Delivery



Adjoining Bay (Code 2170/AB)

4 x 3 Way Brackets
9 x 2170mm Beams
10 x Half 'T' Bracket
1 x Bag of fixings
1 x Driver Bit

Weight 47.5 kg

£558.88 (including VAT)
Free Delivery

NOTE: All dimensions in mm.

When the End Bay is used on there own it will require 2 x extra corner brackets & 1 x Beam.
For further information please call.

STEEL SUB-FRAME

Specifications

Sub-frame and deck boards tested to 1.5 KN/M2 and onto maximum permissible deflection based upon span/360.

Product reached maximum permissible deflection of span/360 at 2.1 KN/M2 including a safety factor of x 1.5. Ultimate load failure recorded at 20 KN/M2.

Galvanised and zinc plated components

Cold rolled steel main frame profiles galvanised to British Standard BS EN 10346:2009.

Sub-frame brackets are zinc plated and clear passivated to Fe/Zn25/A.